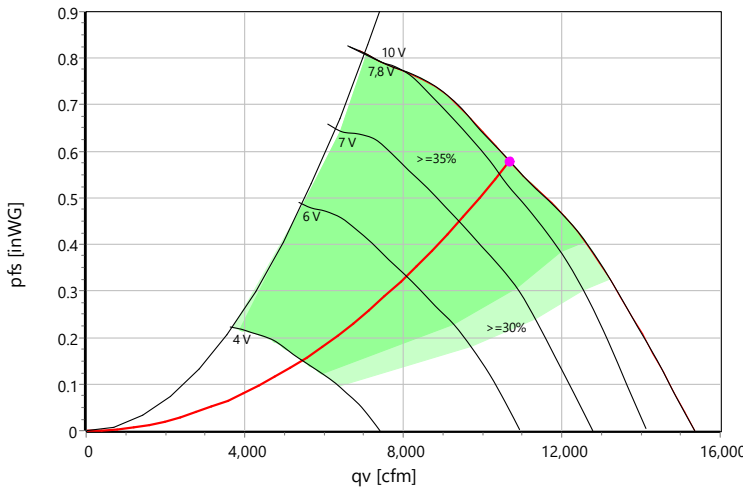




Type: **AKFG 800 K.6NA A5 Gen3**  
Installation type 5 direction of airflow A with square nozzle plate  
Part no.: E65-80665



**Curve:**



**Operating Point:**

**ErP-Data:**

$q_v$	10680	cfm	(EU) Nr. 327/2011 (Lot11)		
$p_{fs}$	0.579	inWG	$q_v$	10980.5173	cfm
$p_{fd}$	0.24	inWG	$p_{fs}$	1.05	inWG
$\eta_{ed,fs}$	41	%	$\eta_{fs}$	45.3	%
$\eta_{ed,tot}$	58	%	$P_{ed}$	3.16	kW
$P_{ed}$	1.78	kW	$n$	1160	r/min
$l$	4.7	A	N	48	N
$n$	974	r/min	$v$	34.072	ft/s
$L_{WA, A,IN}$	80	dB(A)			
$U_C$	10	V			
$v$	33.14	ft/s			
SFP	354	Ws/m <sup>3</sup>			
$t_{R,OP}$	60	°C			

<b>Set point:</b>		
$q_v$	10712	cfm
$p_{fs}$	0.582	inWG

p: 1.15 kg/m<sup>3</sup>; Data @ 230 V

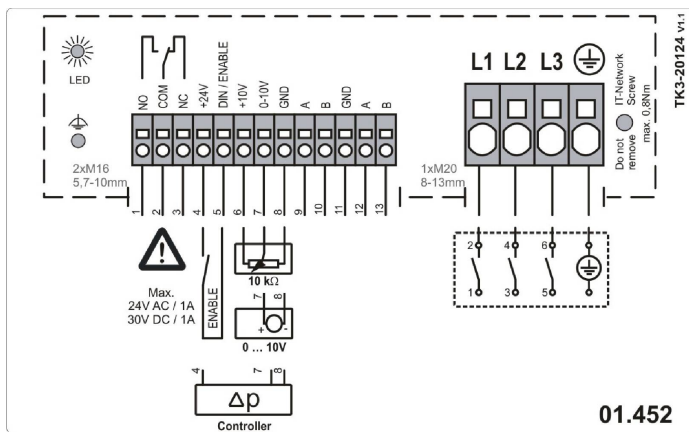
**Nominal Data:**

U [V]	f [Hz]	Data @ [V]	$P_{ed}$ [kW]	$I_N$ [A]	$n_N$ [r/min]	$t_R$ [°C]	$k_{10}$ [m <sup>2</sup> /h]	Eff.-Rating	IP	m [kg]
3~200-240	50/60	230	1.86	4.95	950	-25 .. +60	-	IE5	IP 54	49
		208	1.6	4.65	890					

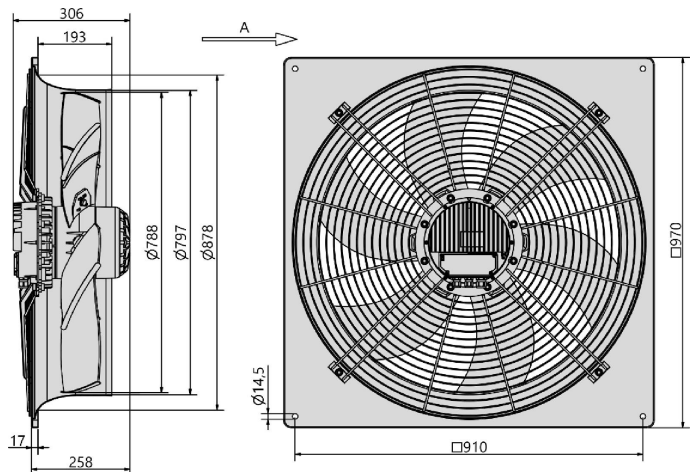
**Sound Data:**

Frequency	$\Sigma$	63Hz	125Hz	250Hz	500Hz	1kHz	2kHz	4kHz	8kHz	Distances	1 m	4 m
LwA(A,in) [dB(A)]	80	54	60	65	74	75	75	68	59	LpA(A,in) [dB(A)]	73	63
LwA(A,out) [dB(A)]	82	60	67	71	76	77	76	70	60	LpA(A,out) [dB(A)]	75	65

**Wiring Diagram:**



**Drawing:**



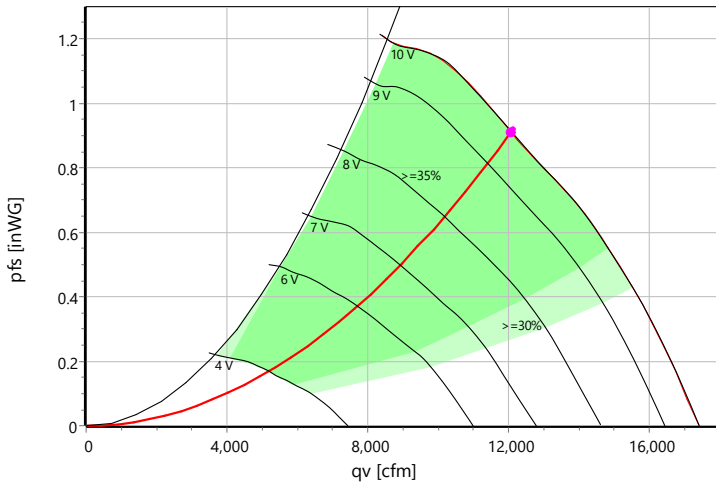
Attention: Start-up times up to ~ 20 - 60 sec. depending on motor-impeller combination, motor load and number of operation.  
Please note during project planning (e.g. for condenser units in refrigeration circuits)!



Type: **AKFG 800 K.6NA A5 Gen3**  
Installation type 5 direction of airflow A with square nozzle plate  
Part no.: E65-80665



**Curve:**



p: 1.15 kg/m<sup>3</sup>; Data @ 400 V

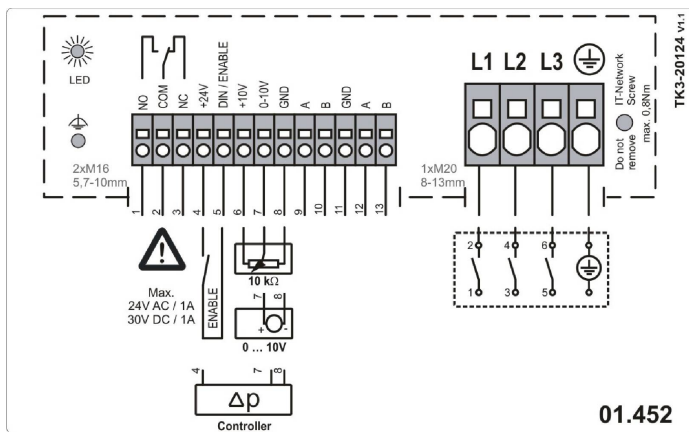
**Nominal Data:**

U [V]	f [Hz]	Data @ [V]	P <sub>ed</sub> [kW]	I <sub>N</sub> [A]	n <sub>N</sub> [r/min]	t <sub>R</sub> [°C]	k <sub>10</sub> [m <sup>2</sup> /h]	Eff.-Rating	IP	m [kg]
3~380-480	50/60	400	3.35	5.17	1160	-25 .. +60	-	IE5	IP 54	49
		460		4.65						

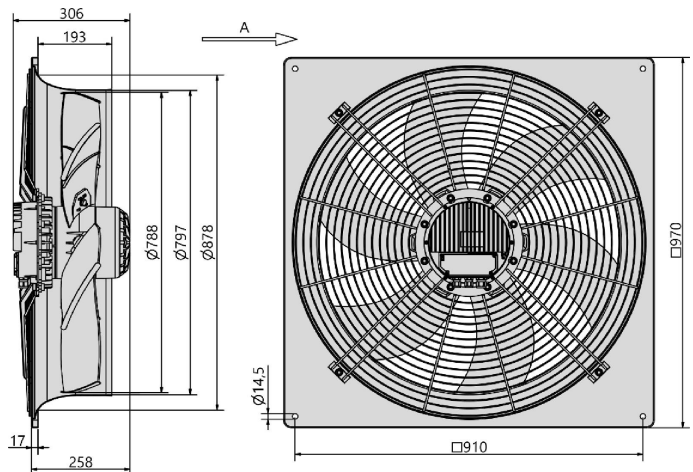
**Sound Data:**

Frequency	Σ	63Hz	125Hz	250Hz	500Hz	1kHz	2kHz	4kHz	8kHz	Distances	1 m	4 m
LwA(A,in) [dB(A)]	84	58	64	69	78	79	79	72	63	LpA(A,in) [dB(A)]	77	67
LwA(A,out) [dB(A)]	86	64	71	75	80	81	80	74	64	LpA(A,out) [dB(A)]	79	69

**Wiring Diagram:**



**Drawing:**



Attention: Start-up times up to ~ 20 - 60 sec. depending on motor-impeller combination, motor load and number of operation.  
Please note during project planning (e.g. for condenser units in refrigeration circuits!)